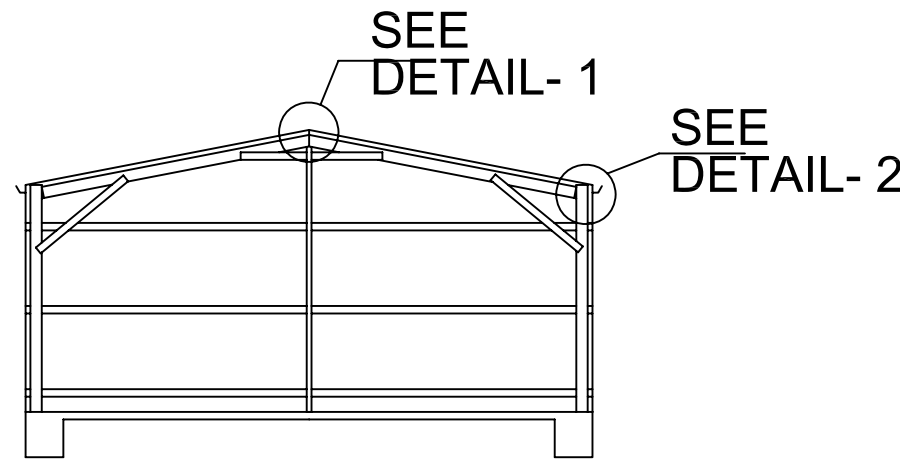
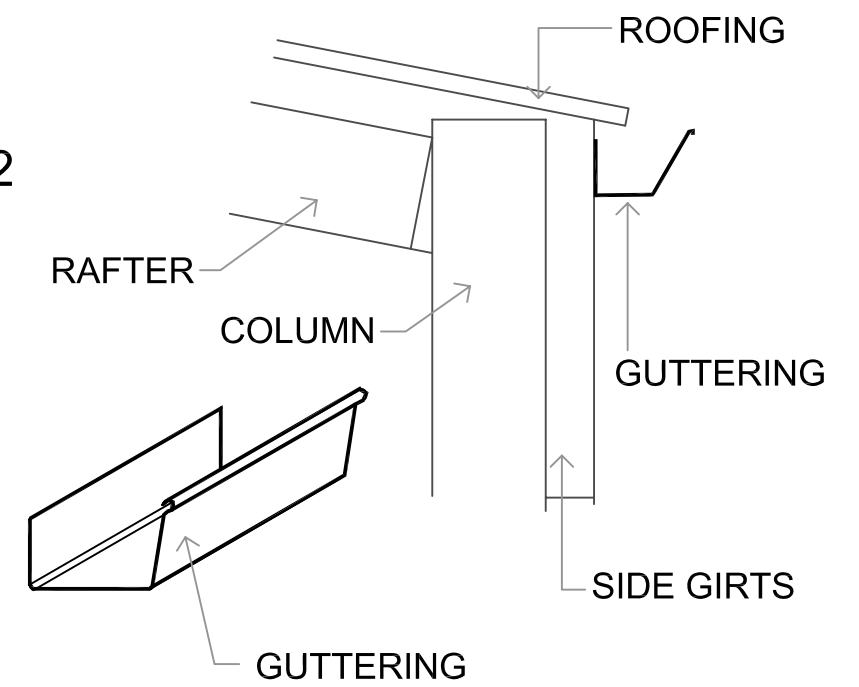


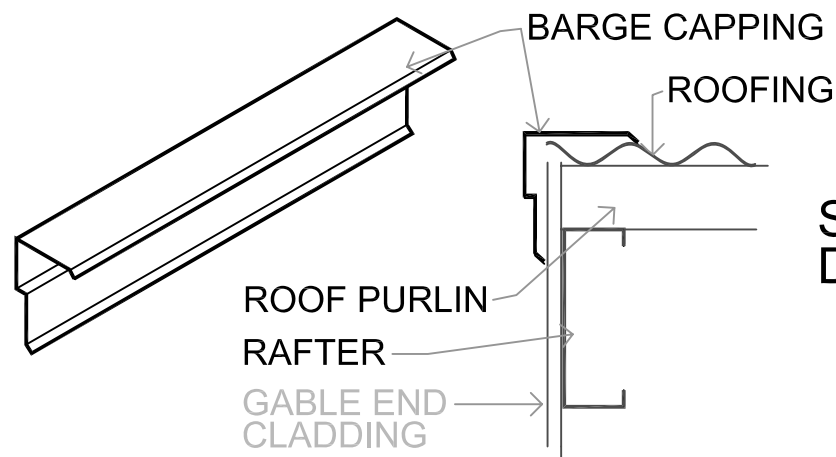
DETAIL - 1
RIDGE CAPPING



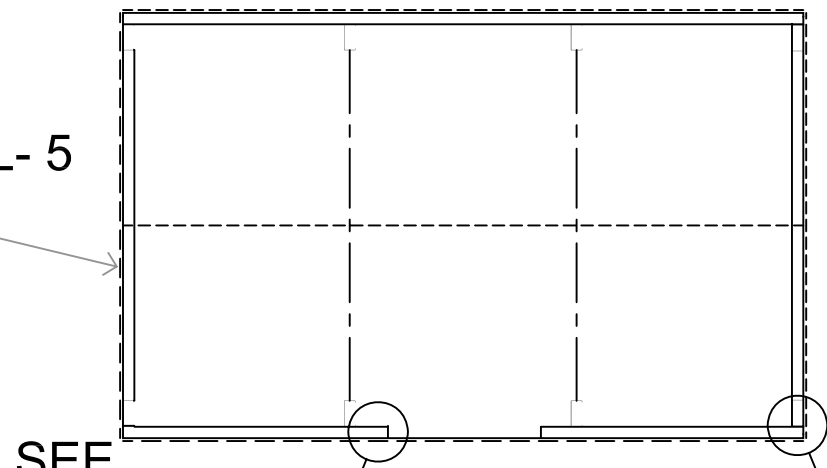
TYPICAL SECTION



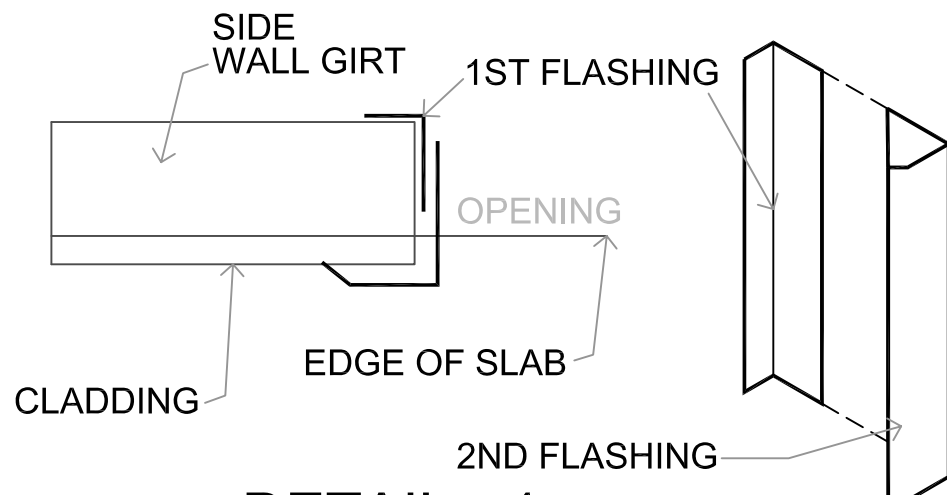
DETAIL - 2
GUTTERING



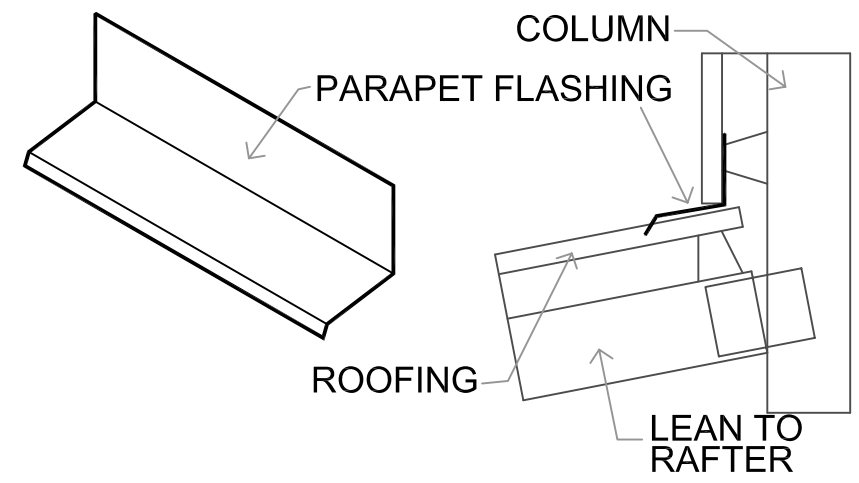
DETAIL - 5
BARGE CAPPING



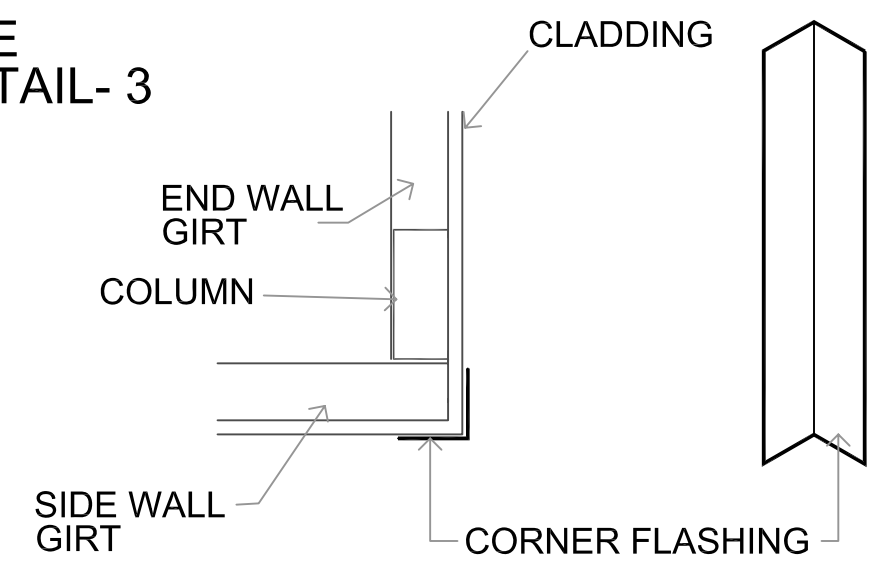
PLAN VIEW



DETAIL - 4
OPENING FLASHING



PARAPET FLASHING DETAIL



DETAIL - 3
CORNER FLASHING